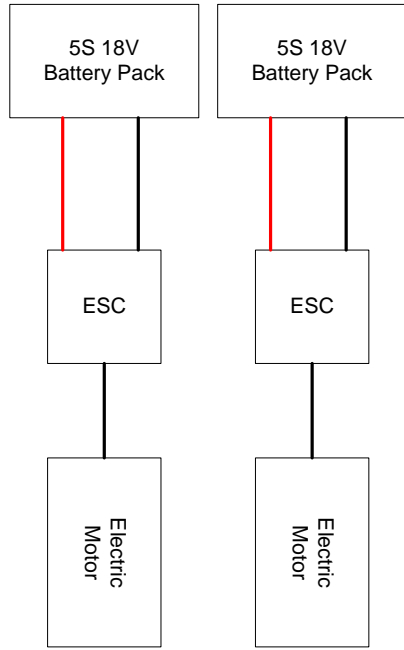
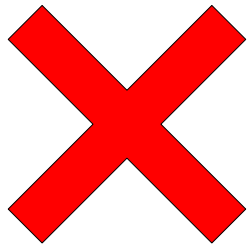
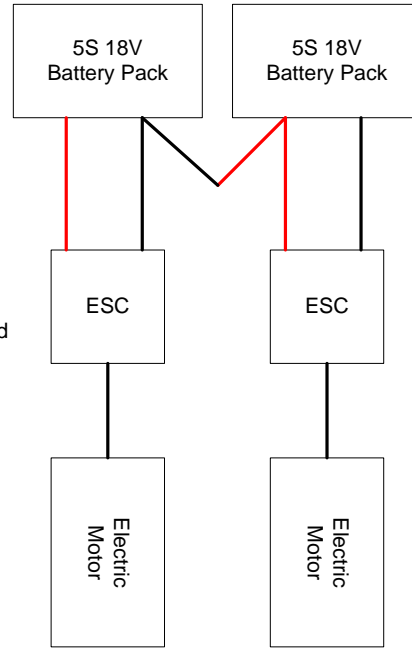
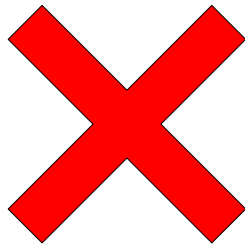


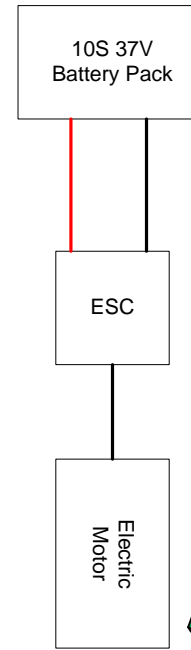
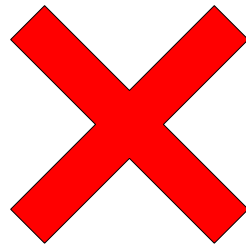
This will be deemed illegal as batteries are run in parallel, therefore the speed controller/motor is receiving only 18V.



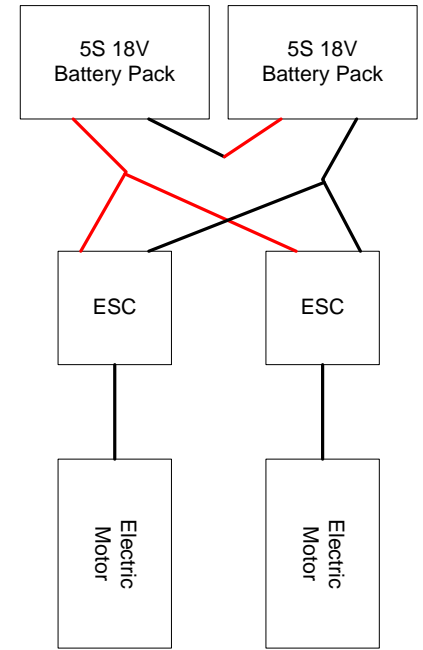
This will be deemed illegal as each speed controller/motor is receiving only 18V.



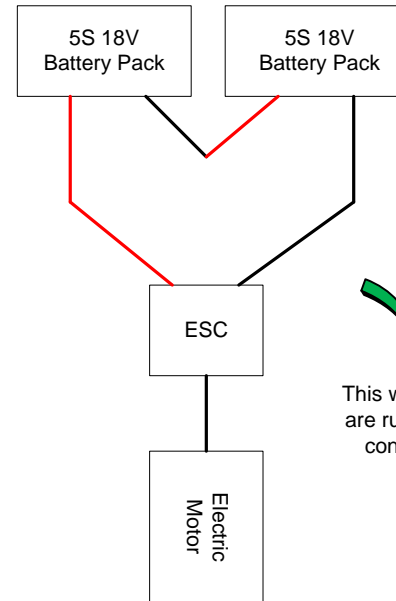
This will be deemed illegal as each speed controller/motor is receiving only 18V.



This will be deemed legal as speed controller/motor is receiving 37V



Battery packs run in series. This will be deemed legal as each speed controller/motor is receiving 37V.



This will be deemed legal as batteries are run in series, therefore the speed controller/motor is receiving 37V.

